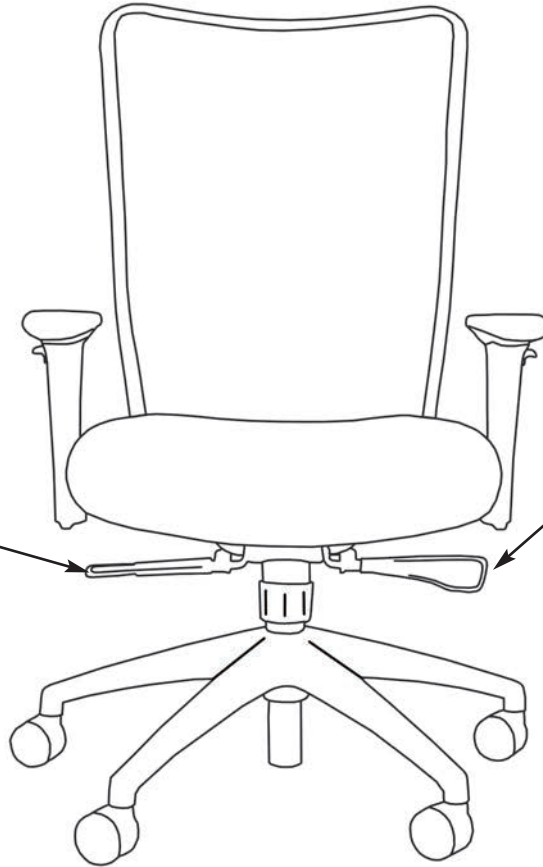


# MELO

## HOW TO OPERATE

### Seat Height Adjustment

When seated in the chair, lift body weight from the seat and at the same time, drop right hand and lift up the paddle under the right side of the seat. This engages the pneumatic height cylinder. When desired seat height is achieved, release paddle. Chair will permanently lock into seat height position. To reduce seat height, follow same procedure EXCEPT remain seated in the chair.

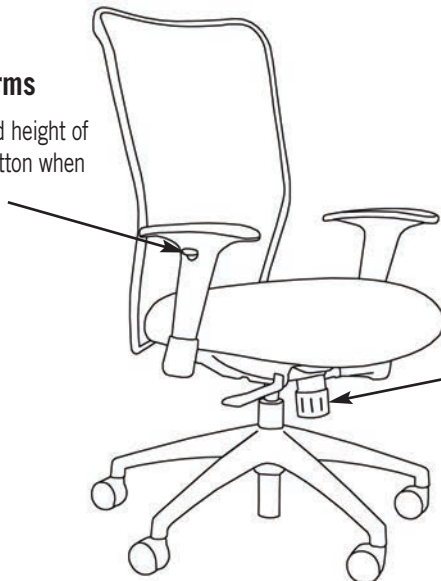


### 4-Position Tilt Lock

Freely tilt or lock the chair into any fixed position. When seated in the chair, drop left hand and take hold of the paddle under the left side of the seat. Move the paddle forward. Lean back in the chair and it will freely tilt or recline. If you want to eliminate the tilting, locate the desired position during the tilting motion, then move the paddle rearward. This will lock the position in place. **Safety Clutch Release.** To release from unlock position, move paddle forward and lean back into the chair. You will hear a click and then the chair will move freely.

### Height Adjustable Arms

Push button in until desired height of arm is reached. Release button when height is adjusted.



### Tilt Tension Adjustment

If you decide to allow your chair to tilt freely, then you need to adjust the tension so the chair tilts according to your body weight. While seated in the chair, reach under the seat and turn the knob to the right to tighten and to the left to loosen. *Please note that this feature will only affect the chair if the user wants the chair to tilt freely.*

## FEATURES:

- Synchro-tilt with 4-position lock
- Height adjustable arms
- Tilt tension adjustment
- Upholstered seat
- Poly mesh back
- 300 lb. capacity

## DIMENSIONS:

- Seat width: 21"
- Seat depth: 21"
- Back height: mid 18" high 22"
- Back width: 20½"
- Chair weight: 36-38 lbs.

